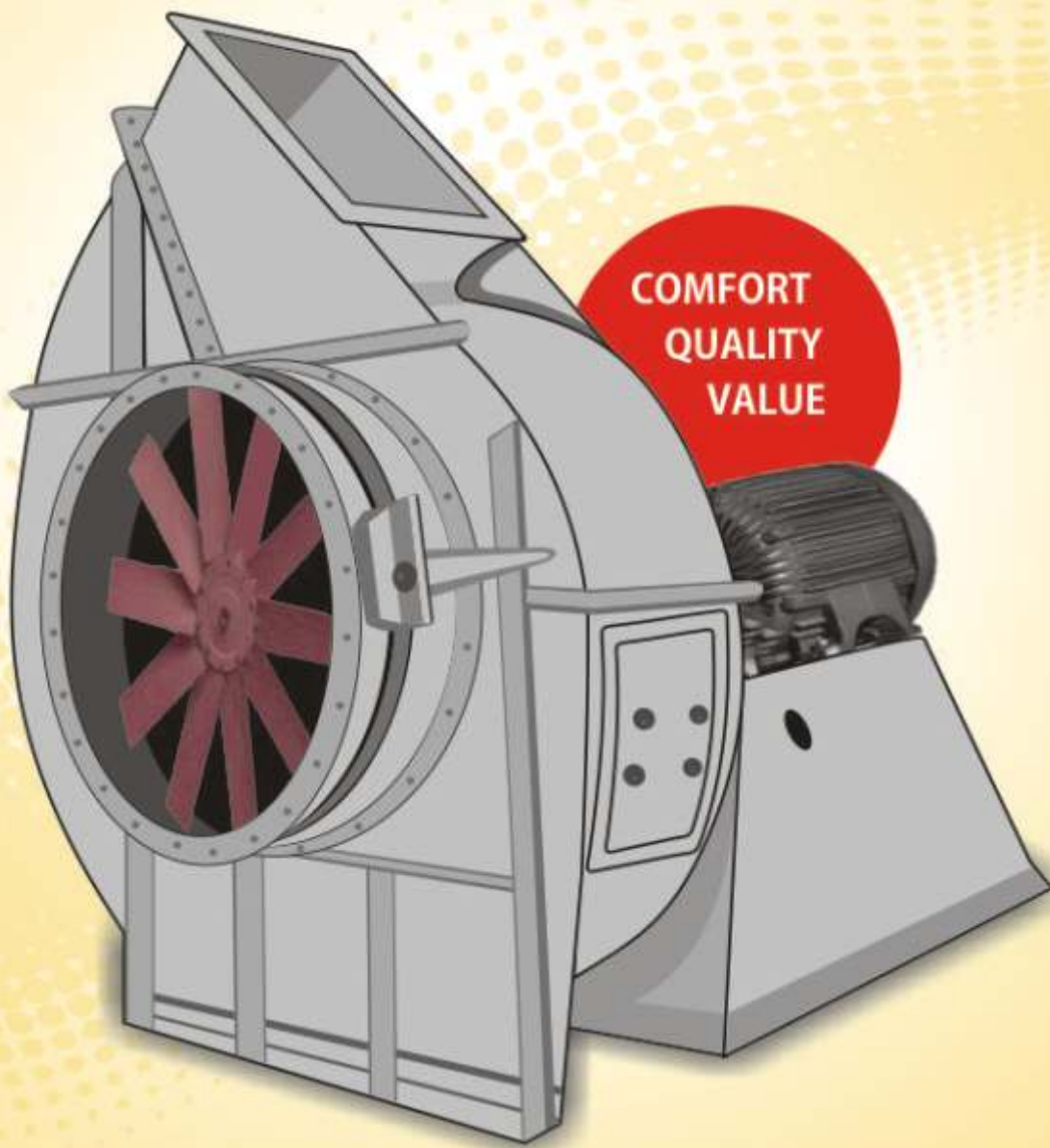


action air

Industrial Centrifugal Fans



The selection of the right fan for the right application is our speciality

With wide range of fans available. It is possible to select a fan with high efficiency for almost every operating condition. We modify the blade geometry to cater for specific dust load, we counter wear with different types of wear protection. Blower / fans operating at practical load, we equip our fans / blowers with the less energy consuming air flow control devices.



FRP Exhaust For Chemical Fume



High Efficiency Centrifugal Fans With Outlet Evase

Extensively Used In:

- Industrial Furnace
- Boilers
- Tobacco Processing Plants
- Power Plants
- Water Treatment Plants
- Sewage (Treatment) Plants
- Chemical Processing Plants
- Dairy Refrigeration Plants
- Cement Plants
- Pneumatic Conveying
- Extra Dying
- Ventilation
- Steel Plants
- Sugar Plants
- Marine Ventilation
- Vaccume Cleaning
- Textile Mill For Humidification & In Many Other Applications.

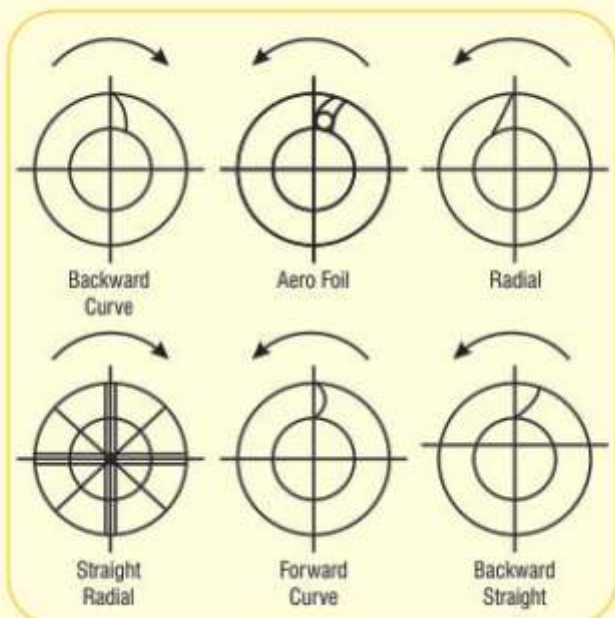
Features:

- Dynamically Balanced Impellers in accordance with VDI guidelines
- High efficiency fans for energy conservation
- Erosion resistant and corrosion resistant fans based on application
- Performance tested as per IS, BS & AMCA standards
- Oil-free handling of air & gases
- Pressure upto 1200mm WG in single stage and capacity upto 250000 CMH

Rubberlined Fan For Chemical Industry With Actuator Operated IGV



Singlestage High Pressure Blower



Introduction

Centrifugal fans are used as air moving devices in industrial applications

Design Features

"Action Aire" offers wide range of centrifugal fans with high efficiency impellers based on the application.

- Aerofoil Blades
- Straight Blades
- Paddle Type
- Backward Curve
- Backward Straight
- Backward Radial
- Forward Curve

Special Features

For high temperature applications from 100°C to 350°C. Cooling disc is provided on fan shaft & thereby keeping the bearing cool. Bearing cooling, for high temperature application above 350°C is done by oil (sump or forced lubrication).

Fan operating at high temperature is painted with heat resistant aluminium paint.

insulation on fan casing is provided on customer requirement

Spark Proof Construction Corrosion Resistance

- PP FRP
- Epoxy Paint Coating
- Chlorinated Rubber
- Cold Spray Galvanising
- Hot Dip Galvanising
- FRP Lining
- Epoxy Resin Paint
- Bituminous Paint
- Hot Spray Galvanising

Wear Resistance

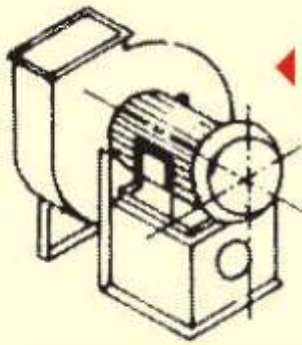
- Replaceable Liners
- Surface Hardening
- Providing of wear resistant material

Material of Construction

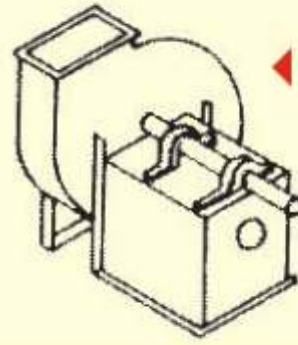
- Mild Steel (IS-2062)
- Stainless Steel : SS-304 / SS-316
- Fibreglass Reinforced Plastic
- MS Lined with FRP
- FRP / PVC / PP
- Aluminium
- MS with Rubber Lining (Ebonite / Butyl)



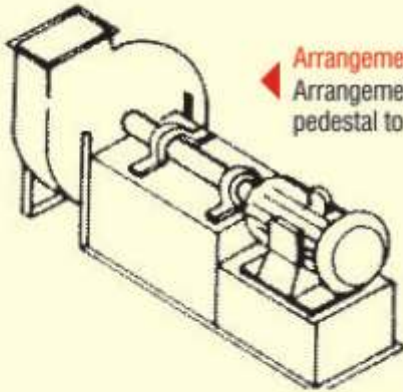
Type Of Drive



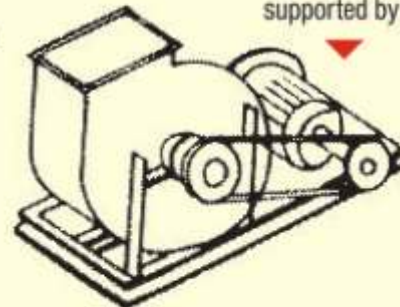
Arrangement 'A'
Impeller directly mounted on motor shaft



Arrangement 'B'
Impeller mounted on shaft Supported by two bearings on one side mounted on pedestal suitable for 'V' belt drive

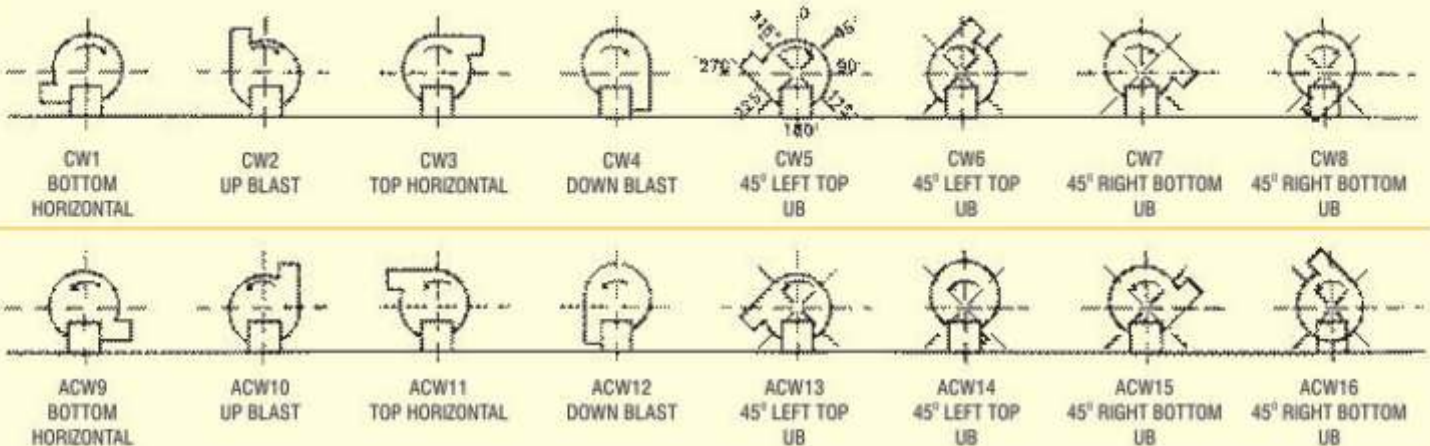


Arrangement 'C'
Arrangement 'B' with extended pedestal to mount motor and coupling



Arrangement 'D'
impeller mounted on shaft supported by bearing on either side

Radial Fan Outlet Position As Viewed From Driver Side



• Our Other Products: •

- INDUSTRIAL AIR CIRCULATOR • WEATHER PROOF AIR CIRCULATOR
- INDUSTRIAL MAN COOLER • INDUSTRIAL AXIAL FLOW • ROOF EXTRACTOR
- CENTRIFUGAL BLOWER • HEAVY DUTY EXHAUST FAN • FARATA FAN
- CABIN FAN • CEILING FAN & MORE...



Manufactured By:

M.D. EQUIPMENTS PVT. LTD.

B-23, Sector-57, Noida (UP)-201301, INDIA

Sale Enquiry No.: +91-9871653153, 9899614289, +91-120-4238927

Service complaint No.: +91-120-4238927, 4238928

Email-info@mdequipments.com | Website: www.mdequipments.com